

Meat Gear

CUTTING BAND SAW MACHINE

CODE: SIE360AIHER3HPIP

SIE360AIHER3HP3P

SIE360AIHER5HP3P

BRAND: MEAT GEAR

Instructions for operation, service and
maintenance

Congratulations on your purchase!

You have just acquired a high quality Meat Gear Machine
Before operating the equipment, read and familiarize yourself
with the following operating and safety instructions.

SAVE THESE INSTRUCTIONS FOR FUTURE REFERENCE.

Save the original box and packaging.

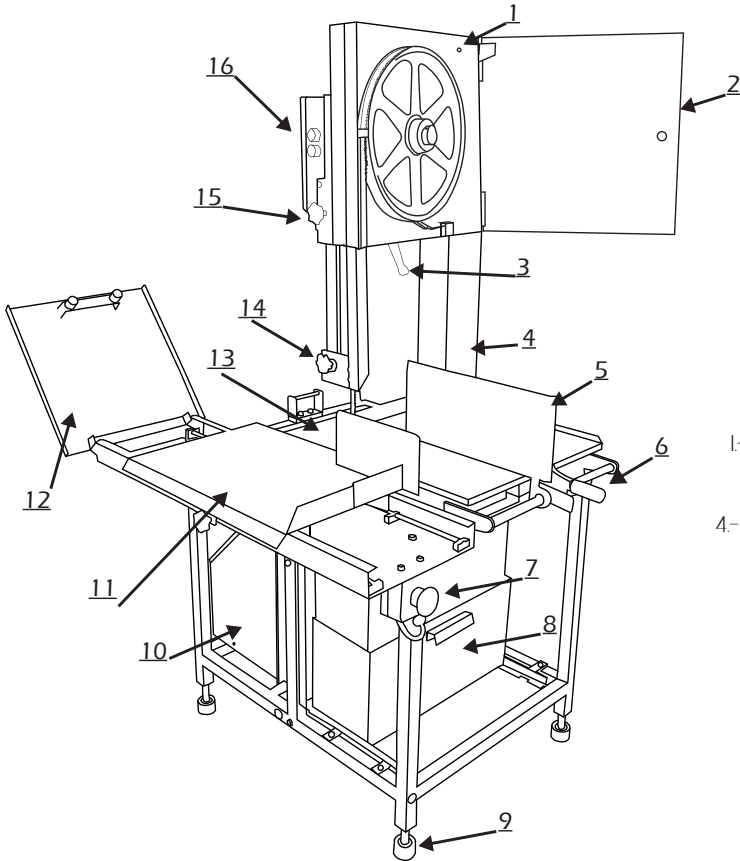
Use this packaging to ship the equipment if repairs are needed.

Meat
Gear



IT IS IMPORTANT THAT YOU AND THE PERSON OPERATING THE MACHINE
READS CAREFULLY THIS OPERATION MANUAL.

CONTENT	PAGE	CONTENT	PAGE
PARTS	(2)	BAND SAW BLADE ALIGNMENT	(6)
GENERAL	(3)	CARRIAGE	(7)
INSTALLATION	(4)	GUIDES	(7)
PULLEYS	(5)	CLEANERS AND WASTE PAN	(8)
BAND SAW BLADE TENSION	(5)	ELECTRIC DIAGRAM	(9)
		LIMITED WARRANTY	(10)
		HOW TO OBTAIN WARRANTY	(11)



PARTS

- 1- Upper door security switch
- 2- Upper door
- 3- Tension handle
- 4- Adjustable protective guard
- 5- Adjustable gauge plate
- 6- Lock lever
- 7- Emergency button
- 8- Waste pan
- 9- Leveling legs
- 10- Engine guard
- 11- Table carriage
- 12- Table extension
- 13- Left table
- 14- Sliding protective bar
- 15- Adjustment guard knob
- 16- ON / OFF Button



IT IS IMPORTANT THAT YOU AND THE PERSON OPERATING THE MACHINE READS CAREFULLY THIS OPERATION MANUAL.

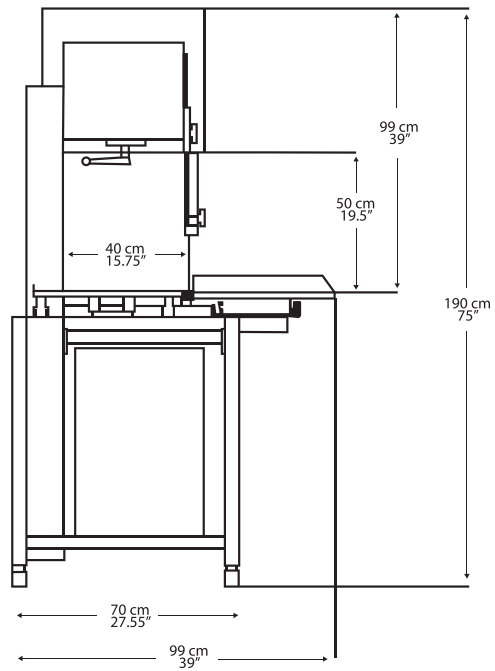
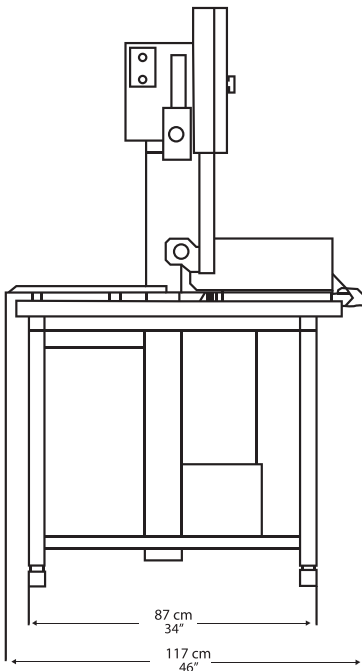
GENERAL

The cutting band saw machine l42 is constructed in stainless steel. This model is ideal for a high demand market, you will find it at supermarkets, meat industry markets, among other examples.

Easy to disassemble and cleaning without any tools. To disassemble the band saw machine the following parts should be removed:

- All tables
- Upper door
- Adjustable protective guard
- Lower door
- Waste pan
- Band saw blade guard
- Band saw blade
- Two pulleys
- Band saw blade cleaners

To assemble the machine follow the steps backwards.





IT IS IMPORTANT THAT YOU AND THE PERSON OPERATING THE MACHINE READS CAREFULLY THIS OPERATION MANUAL.

Characteristics	Value	Unit
Voltage supply	220(3)	Volts (phases)
Frequency	60	HZ
Current	15	Amps.
Engine power	5	HP
Machine Weight	251	Kgs.
Saw velocity	21	Mt/seg.
Length of saw blade	142/361	Inch/cm

INSTALLATION

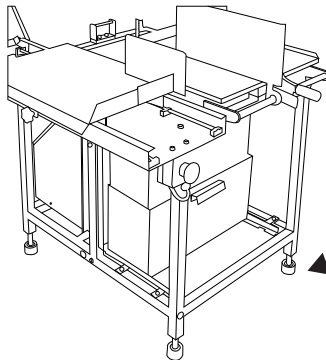
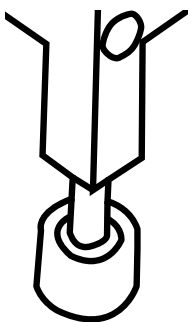
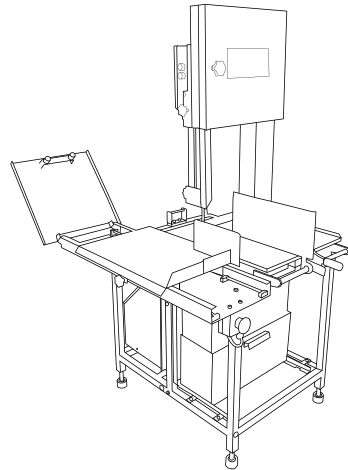
To insure optimal performance in your new 142" band saw machine, please follow the next recommendations while installing.

Please read and follow the instructions below.

In order to level the machine and have better stability, you must adjust the leveling legs and place the rubber foot. Make sure that your electric outlet has a groundable point and a thermally protected outlet, this will give better protection to your machine.

Place the 4 rubber bumpers once the machine is positioned.

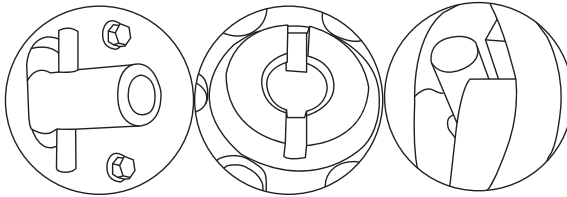
Warning: This machine has been designed to cut meat and bone and by its nature is dangerous. Do not allow unqualified personnel to manipulate the equipment.



It is recommended to place the band saw machine on the floor, use the leveling legs up to 3 inches to make sure the cutting band saw machine is steady and secure.

PULLEYS

The pulleys should be placed above the arrow, make sure the inner part of the gap is placed in the cap screw between the gap. Lubricate the arrow with the food grade grease included in your machine.

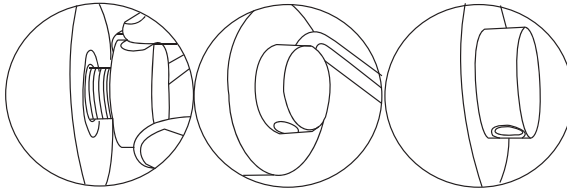


Arrow's cap screw

Pulley's gap

Both parts joined

To avoid pulleys from coming off from the arrow while functioning, lock it as shown in the example figures. The following operation is made without tension on the band saw blade.



Place blocking screws

Tighten clockwise*

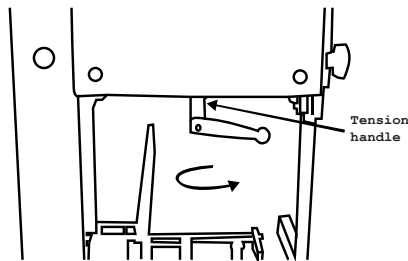
Secured pulley

*Key is included in your equipment

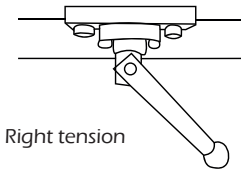
BAND SAW BLADE TENSION

Place the band saw blade in the pulley's track with the teeth facing downwards on the side of the machine where the product is going to be cut with the help of the handle.

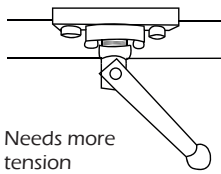
To tension the band saw blade use the handle turning clockwise until it stops, while doing this action turn the pulley twice carefully with your hands to adjust the band saw blade in the pulley's track and guides.



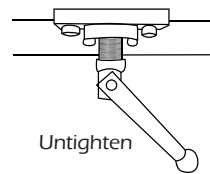
This equipment incorporates a total tension system (automatic), which allows the band saw blade reach the adequate tension and the pulleys and guides to align. This system is designed to maximize the meat saw machine potential and help the operator have better cuts, less waste and prolong the saw blade's life. Apply food grade grease in the screw cap included in the machine.



Right tension



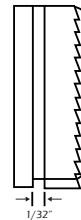
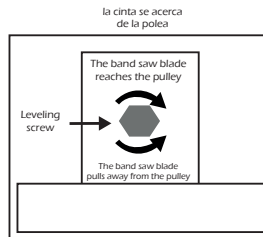
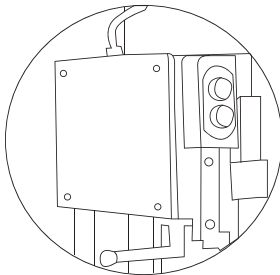
Needs more tension



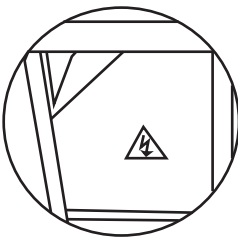
Untighten

BAND SAW BLADE ALIGNMENT

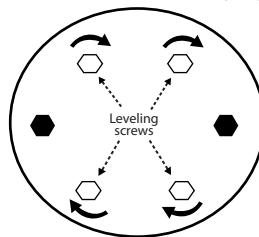
Upper pulley.- To obtain the correct alignment, the band saw blade, should be in a 1/32" (1mm) away from the pulley's edge. The next diagram shows how the leveling screw should be adjusted until the separation between the band saw blade and the edge is just right.



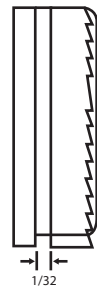
Lower pulley.- For a correct alignment in the lower pulley it is recommended that the gap between the band saw blade and the edge of the pulley is 1/32" (1mm), this guarantees the band saw blade does not jump off while operating. To align the band saw blade in the lower pulley it is recommended to loosen the locknut from the leveling screws and that these are adjusted in pairs, upper or lower as shown in the figure. Once align in the lower pulley the leveling screws from the locknuts should be tightened.



If the upper screws are tighten, the band saw blade will detach from the pulley



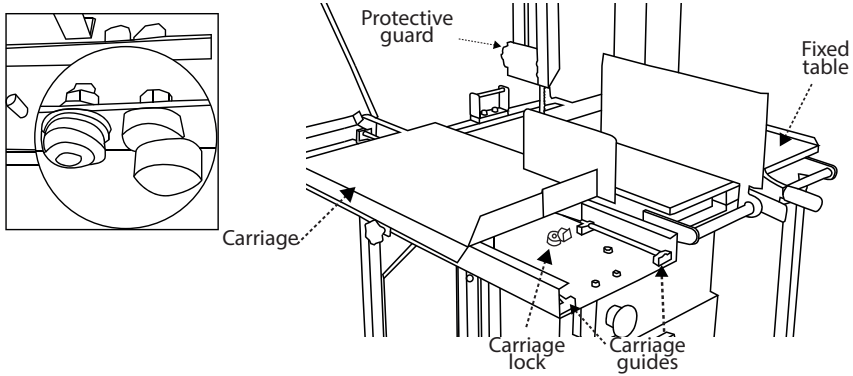
If the lower screws are tighten, the band saw blade will get closer to the pulley.



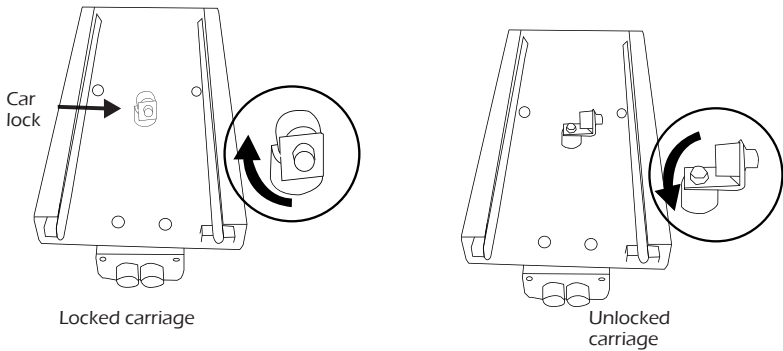
It's important to check regularly that the upper and lower pulleys are not packed of waste or grease and are not worn out, this can cause the band saw blade to jump off while in operation.

CARRIAGE

The carriage can slide back and forward easily, set the carriage lock as shown in the figure to avoid the carriage coming off the track. The band saw blades security guard can be adjusted upwards and downwards exposing only the part needed to make the cuts. Although the guard can be adjusted while the machine is ON, it is recommended to do it while it's OFF for a safer operation.

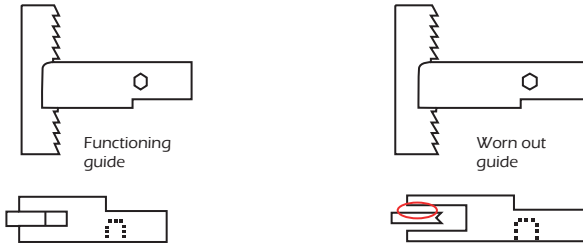


To remove the carriage, the car lock should be moved 90° from its own axis counterclockwise, as shown in the figure.



GUIDES

The nylon guides should be placed to clean the residue from the band saw blade. The nylon guide should be replaced when the gap where the blade comes through is too wide, exceeding the blade's thickness. Depending on the workload it might be once every two weeks.



The tungsten guides allow the machine to control the movements the band saw blade has while operating, the guides have normal wear. The following figures shows when the guides has worn and should be replaced.

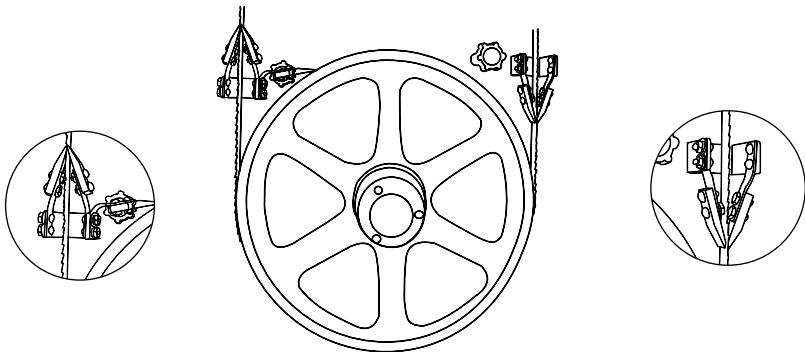


If while making cuts the band saw blade surpasses the tungsten tablet it's an indicator the guide should be replaced.

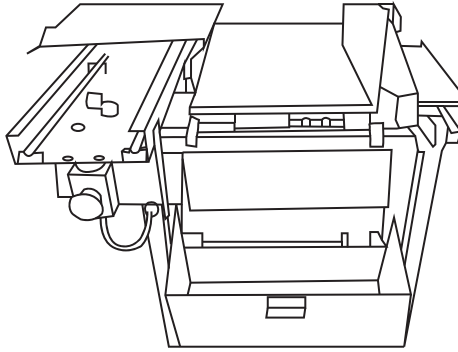
CLEANERS AND WASTE PAN

The lower pulley comes with cleaners to avoid the build up from the cuts, this is to avoid the band saw blade from sliding off from the pulleys or jump off.

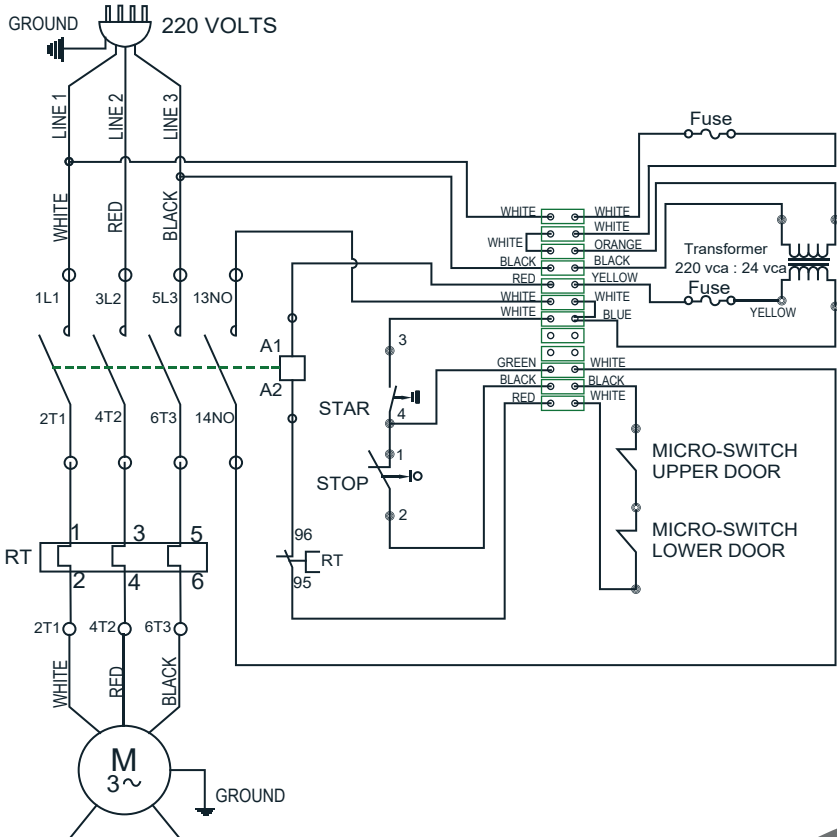
Make sure the cleaners touches the pulleys and the band saw blade, this allows a high quality performance. In case the cleaner has damage or is worn out, replace it.



The waste pan is placed in the lower part of the cutting band saw machine, to remove the waste just pull out the waste pan and lift it.



ELECTRIC DIAGRAM



LIMITED WARRANTY (1) YEAR WARRANTY

Meat Gear warrants this product against defects in materials or workmanship for a period of one year from the date of original purchase.

Should any manufacturing defect be discovered within one year from date of purchase, you must deliver the entire product to the MEAT GEAR dealer that sold it or to a MEAT GEAR service center in its original packaging or in packaging affording an equal degree of protection, along with proof of purchase. MEAT GEAR will at its option, repair or replace or an exchange basis with an equal or equivalent unit. The defective unit, without charge for parts and labor. The transportation and insurance charges to and from the MEAT GEAR service center are not included in this warranty.

WHAT THIS WARRANTY DOES NOT COVER.

This warranty covers only normal consumer use in Canada and the United States. This warranty does not cover worn parts, which die to the nature of the machine, have a limited usable life, and have to be replaced on a use and wear basis, nor:

- A) Damage caused by disasters such as fire, flood, lightning, improper electrical current.
- B) Improper or inadequate installation.
- C) Improper or inadequate maintenance.
- D) Unauthorized modification or misuse.
- E) Damage caused by service other than by an authorized MEAT GEAR service center.

LIMITATIONS OF WARRANTY.

NEITHER MEAT GEAR OR ANY THIRD PARTY SUPPLIERS MAKES ANY OTHER WARRANTY OF ANY KIND, WHETHER EXPRESS OR IMPLIED, WITH RESPECT TO MEAT GEAR PRODUCTS. THIS WARRANTY IS EXCLUSIVE AND IN LIEU OF ALL OTHER EXPRESS WARRANTIES AND UNLESS STATED HEREIN, ANY STATEMENTS OR REPRESENTATIONS MADE BY OTHER PERSON OR FIRM ARE VOID. THE DURATION OF ANY IMPLIED WARRANTIES OF MERCHANTABILITY OR FITNESS FOR A PARTICULAR PURPOSE ON YOUR MEAT GEAR PRODUCT SHALL BE LIMITED TO THE DURATION OF THE EXPRESS WARRANTY SET FORTH ABOVE, EXCEPT AS PROVIDED IN THIS WRITTEN WARRANTY NEITHER MEAT GEAR NOR TIS AFFILIATES SHALL BE LIABLE FOR ANY LOSS, INCONVENIENCE, OR DAMAGE, RESULTING FROM THE USE OR INABILITY TO USE THE MEAT GEAR PRODUCT, WHETHER RESULTING FROM BREACH OF WARRANTY OR ANY OTHER LEGAL THEORY.

Some states do not allow limitations on how long an implied warranty lasts and some states do not allow the exclusion or limitation of incidental or consequential damages, so the above limitation and exclusion may not apply to you.

This warranty gives you specific legal rights, and you may also have other rights which vary from state to state.

HOW TO OBTAIN WARRANTY AND SERVICE

- 1- Refer to the troubleshooting guide in your owner's manual. This list might solve your problem.
- 2- Call the MEAT GEAR dealer that sold the product at +1 (800) 824-1644 / (832) 675-9699 within 30 days after you find a defective product or part for tech assistance.
- 3- If you have to ship a MEAT GEAR service center be sure to obtain a Service order number from the MEAT GEAR service center at +1 (800) 824-1644 / (832) 675-9699
- 4- Arrange for the delivery of the product to the authorized MEAT GEAR service center. Products shipped to the service station must be insured and safely and securely packaged, preferably in the original carton, and a letter explaining the defect and also a copy of the bill of sale or other proof of purchase must be enclosed.
- 5- Make sure to include inside the package a complete description of the defect or trouble with the unit and complete name, address, and more phone numbers of who to contact for more questions and who to ship to.
- 6- And also make sure to clearly write outside of the package the service order number and the full address for the MEAT GEAR service center.

Contact

MEAT GEAR
www.meatgear.mx
+1 (800) 824-1644 / (832) 675-9699
sales@meatgear.mx

FIND MORE TECHNICAL INFORMATION
AT MEATGEAR.MX

Meat
Gear